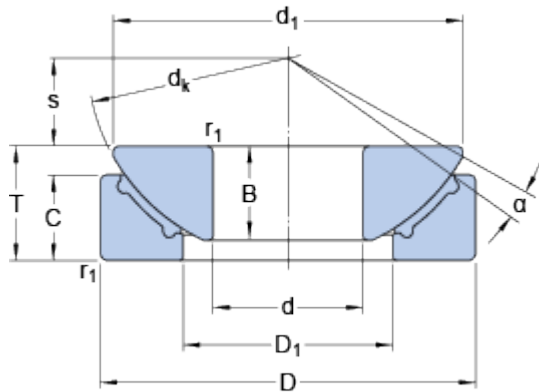


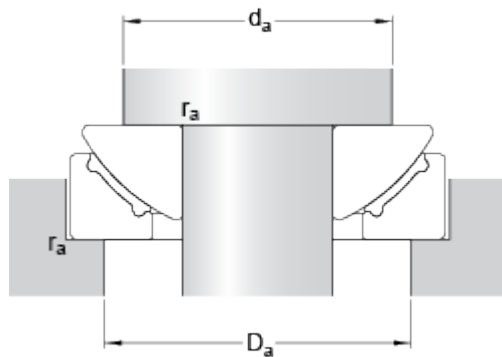
GX 25 F

Dimensions



d		25	mm
D		62	mm
T		22.5	mm
α		5	°
d _k		68	mm
d ₁		58.5	mm
D ₁		34.5	mm
B		16.5	mm
C		16.7	mm
r ₁	min.	1	mm
s		14	mm

Abutment dimensions



d _a	min.	45	mm
D _a	max.	47	mm
r _a	max.	1	mm

Calculation data

Basic dynamic load rating	C	69.5	kN
Basic static load rating	C ₀	112	kN
Specific dynamic load factor	K	50	N/mm ²
Specific static load factor	K ₀	80	N/mm ²
Material constant	K _M	670	

Mass

Mass plain bearing	0.42	kg
--------------------	------	----